

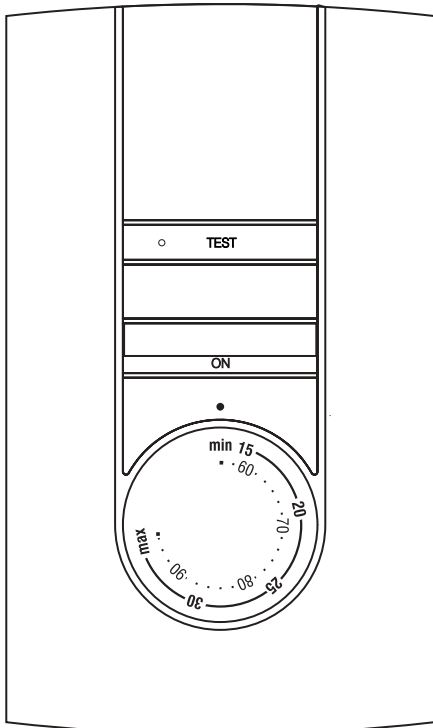
# Owner's Guide



Model 500550-120CS and 500550-240CS

## 1. INTRODUCTION

Thank you for choosing Watts Radiant's 500550 FloorStat. Your new electronic FloorStat is equipped with a microprocessor and proportional integral adaptive (PIA) temperature control technology for total comfort. This Owner's Guide explains how to set the FloorStat to control the temperature of the floor.



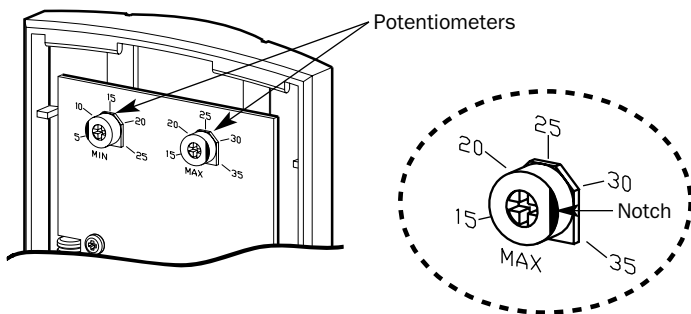
The FloorStat is equipped with an On/Standby switch making it possible to put the FloorStat in "sleep" mode when its use is no longer required (i.e., summer).

**NOTE:** The 500550 faceplate must be mounted on a PB112 Series Power Base.

## 2. MINIMUM AND MAXIMUM TEMPERATURE

At the rear of the faceplate are two potentiometers. These potentiometers act like a temperature lock. Even when occupants adjust the temperature using the dial on the front of the FloorStat, the potentiometers override the dial and maintain the floor temperature within the locked-in minimum and maximum range.

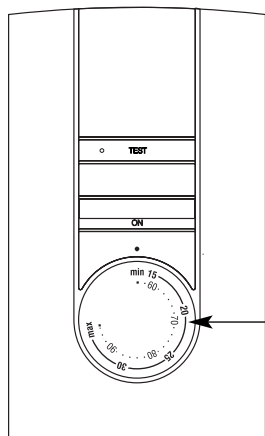
Use a flat tip screwdriver to rotate the potentiometers until the notch points to the desired temperature.



## 3. DEFINING THE SETPOINT

Turn the dial on the front of the faceplate to the desired temperature.

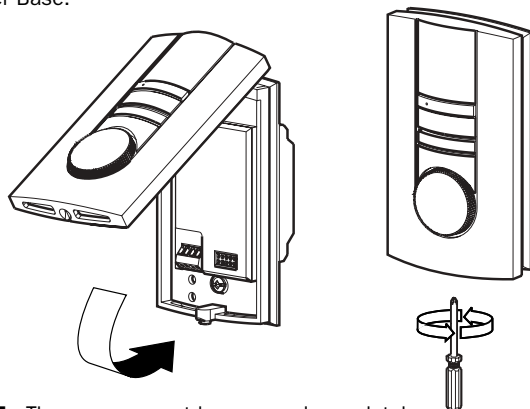
The "Min" position indicates the minimum temperature setpoint: 45°F (7°C).



Temperature dial

## 4. FACEPLATE INSTALLATION

Align the bracket tabs on the faceplate with the holes located on the Power Base.



**NOTE:** The screw cannot be removed completely.

**CAUTION:** Keep the FloorStat's air vents clean and free from obstructions.

## 5. GFCI TEST

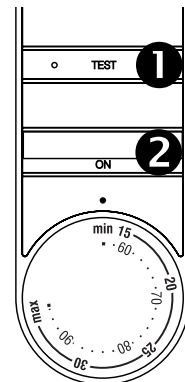
The GFCI monitors electricity flow for any loss of current; if there is, the FloorStat immediately cuts power to the heating system. We recommend you test the GFCI right after installing the control module, and once a month thereafter to ensure it is operating properly. To test:

1. Press the TEST button:

- Successful: Test warning light is ON and power to heating system is cut-off.
- Unsuccessful: Test warning light is OFF. Cut power to heating system from the main power panel and call technical service.

2. When successful, reset FloorStat (On/Standby) to power the heating system.

**NOTE:** If the warning light comes on during normal operation, cut power to heating system from the main power panel and have an electrician verify the installation.



## 6. REMOTE INPUT

The FloorStat is equipped with a remote input which allows connection of a telephone controller or any other remote control system. When a signal is received through this input, the FloorStat automatically lowers the setpoint by 3.5°C.

## TECHNICAL SPECIFICATIONS

**Models:** 500550-120CS (120 VAC) and 500550-240CS (240 VAC)

**Setting range:** 59°F to 95°F (15°C to 35°C); minimum: 45°F (7°C)

**Potentiometers:** Minimum: 41°F to 77°F (5°C to 25°C)  
Maximum: 59°F to 95°F (15°C to 35°C)

**Accuracy:** 0.9°F (0.5°C)

**Storage:** -4°F to 120°F (-20°C to 50°C)

## WARRANTY

WATTS RADIANT, INC. ONE (1) YEAR LIMITED WARRANTY

This product is warranted against defects in material and workmanship occurring during normal use for a period of one year from the date of the original purchase from authorized dealers. During this period, Watts Radiant, Inc. will repair or replace with a new or equivalent quality product without charge at Watts Radiant, Inc.'s option, any product proven by Watts Radiant, Inc. to be defective in normal use. Warranty does not cover transportation costs, nor does it cover a product subjected to misuse or accidental damage. This warranty does not cover the cost of installation, removal or reinstallation of the product or associated materials and labor.

This limited warranty is in lieu of all other warranties, obligations or liabilities expressed or implied by the company. In no event shall Watts Radiant, Inc. be liable for consequential or incidental damages resulting from installation of this product. Some states or provinces do not allow limitations on how long an implied warranty lasts, or the exclusion or limitation of incidental or consequential damages, so the above exclusions or limitations may not apply to you. This warranty gives you specific legal rights and you may also have other rights which vary from state to state.

The defective product and the original sale receipt must be returned to the original dealer or shipped pre-paid and insured to:

**Watts Radiant, Inc.**  
4500 E. Progress Place  
Springfield, MO 65803-8816

If you have any questions concerning the installation of this product, please call our technical service at **800-276-2419**.